

# C SOURCE

CUSTOM MERCHANDISING SOLUTIONS

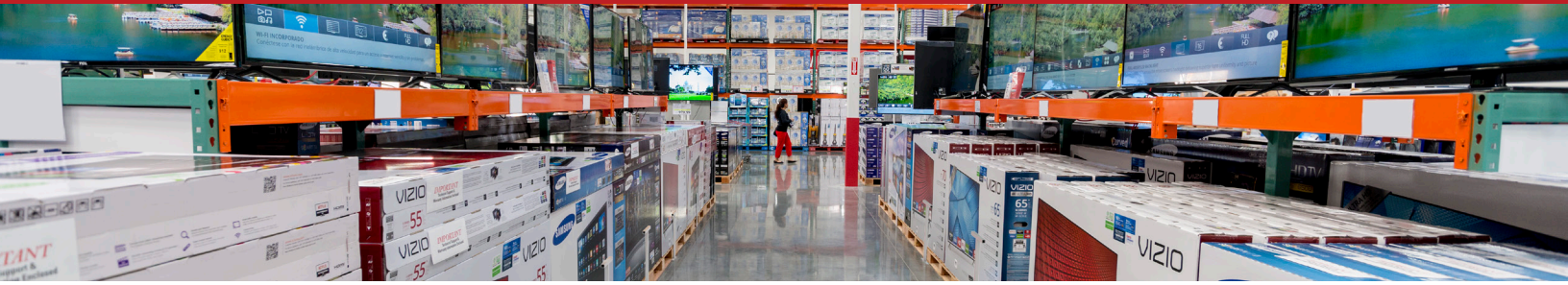


Tent Display T-Bar see page 27

CALL TODAY 888.861.9303 or 360.424.1129  
[csource.wirefabco.com](http://csource.wirefabco.com)

PREMIERE PROVIDER OF QUALITY CUSTOM AND STOCK WAREHOUSE FIXTURE SOLUTIONS

# MAJORS AREA UPGRADE



## TV DISPLAY UPRIGHTS

PN: DS-1 & DS-1HD

This innovative frame design provides unrestricted space for storing inventory beneath the display platform. Ideal for widescreen TV's in the majors' area. The DS-1HD version has a thicker frame and 68" wide horizontal for a larger TV display platform.

- Features:**
- 2 pc construction
  - 4 bolt design
  - 0.25" thick lateral gusset support

- Specifications:**
- 61" high
  - 48" wide (DS-1)
  - 68" wide (DS-1HD)
  - 24" x 0.25 thick base
  - Rack green powder coat finish

## TV DISPLAY TABLETOP WITH CABLE MANAGEMENT

PN: CM-1 & CM-1HD\* (media shelf)

CM-2 & CM-2HD\* (wire shelf)

\*Compatible with the 68" wide DS-1HD

Bring cable management under control. Each compact, TV Display Tabletop section comes with your choice of cable management shelf and works exclusively with our TV Display Uprights. The media shelf is designed to mount control modules while the wire shelf is used for managing cords and cable bundles.

- Features:**
- Tool free, modular, drop-in design
  - Heavy-duty HDPE and steel material
  - Non-conductive surface
  - Choice of cable management shelf

- Specifications:**
- 52" length
  - 44.5" wide (CM-1 & CM-2)
  - 64.5" wide (CM-1HD & CM-2HD)



**Note:** Each 9' bay requires (2) TV Display Table Top sections and (2) TV Display Uprights. All items are sold separately, 9' orange steel beams not available.



Bottom view with media shelf



Bottom view with wire shelf

# DISPLAY UPRIGHT ACCESSORIES

## ADJUSTABLE TV ACCESSORY ARM

Attaches to the TV Display Upright, the Adjustable TV Accessory Arm provides multiple display options and space for storing boxed inventory in front.

**PN: DA-2**  
Adjustable TV Accessory Arm  
Compatible with the 48" Wide DS-1

**PN: DA-2HD**  
Adjustable TV Accessory Arm HD  
Compatible with the 68" wide DS-1HD



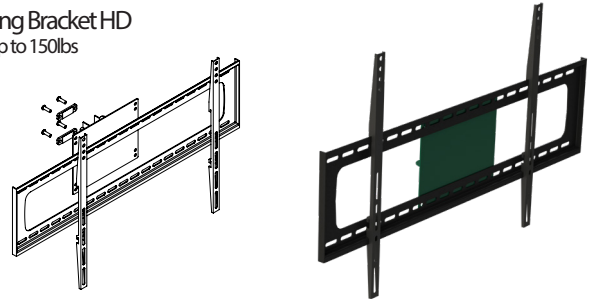
**PN: DA-2HD**  
(for DS-1HD)

**PN: DA-2**  
(for DS-1)

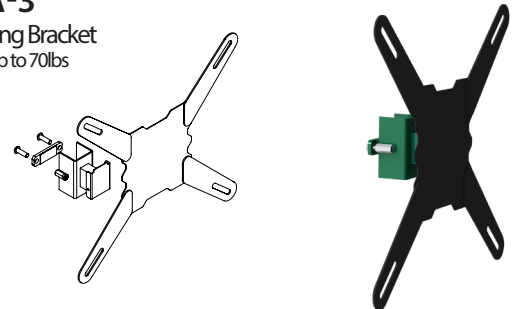
## TV DISPLAY ACCESSORIES

TV Mounting Bracket, TV Angle Sign Bar and T-Bar Shelf are designed to attach to the Adjustable Accessory Arm or 2" square tube T-Bars. Items sold separately.

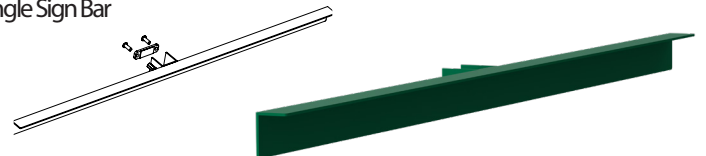
**PN: DA-3HD**  
TV Mounting Bracket HD  
50"-80" TVs up to 150lbs



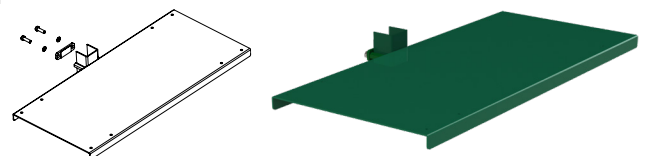
**PN: DA-3**  
TV Mounting Bracket  
32"-55" TVs up to 70lbs



**PN: DA-4**  
TV Angle Sign Bar



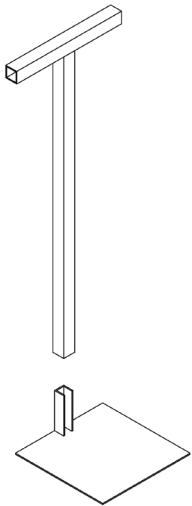
**PN: TBS-1**  
T-Bar Shelf



# MAJORS AREA UPGRADE



## TV RETENTION T-BAR



**PN: RB-1**

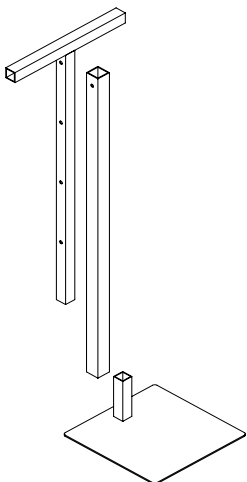
Designed to support merchandise stored beneath the platform. Quick release vertical for removing boxed TV's.

**Features:**  
1- 31" vertical bar  
1- 10" base

**Specifications:**  
31" high  
12" wide  
10" base  
Powder coated steel



## ADJUSTABLE RETENTION BAR



**PN: RB-4**

Designed to support merchandise stored beneath the platform and adjusts to accommodate a wider range of sizes. Quick release vertical for removing boxed TV's.

**Features:**  
1- adjustable vertical assembly  
1- 10" base

**Specifications:**  
Adjusts 31" to 49" high  
12" wide  
10" base  
Powder coated steel



## ADJUSTABLE MOUNTING BAR

**PN: ATB-5**

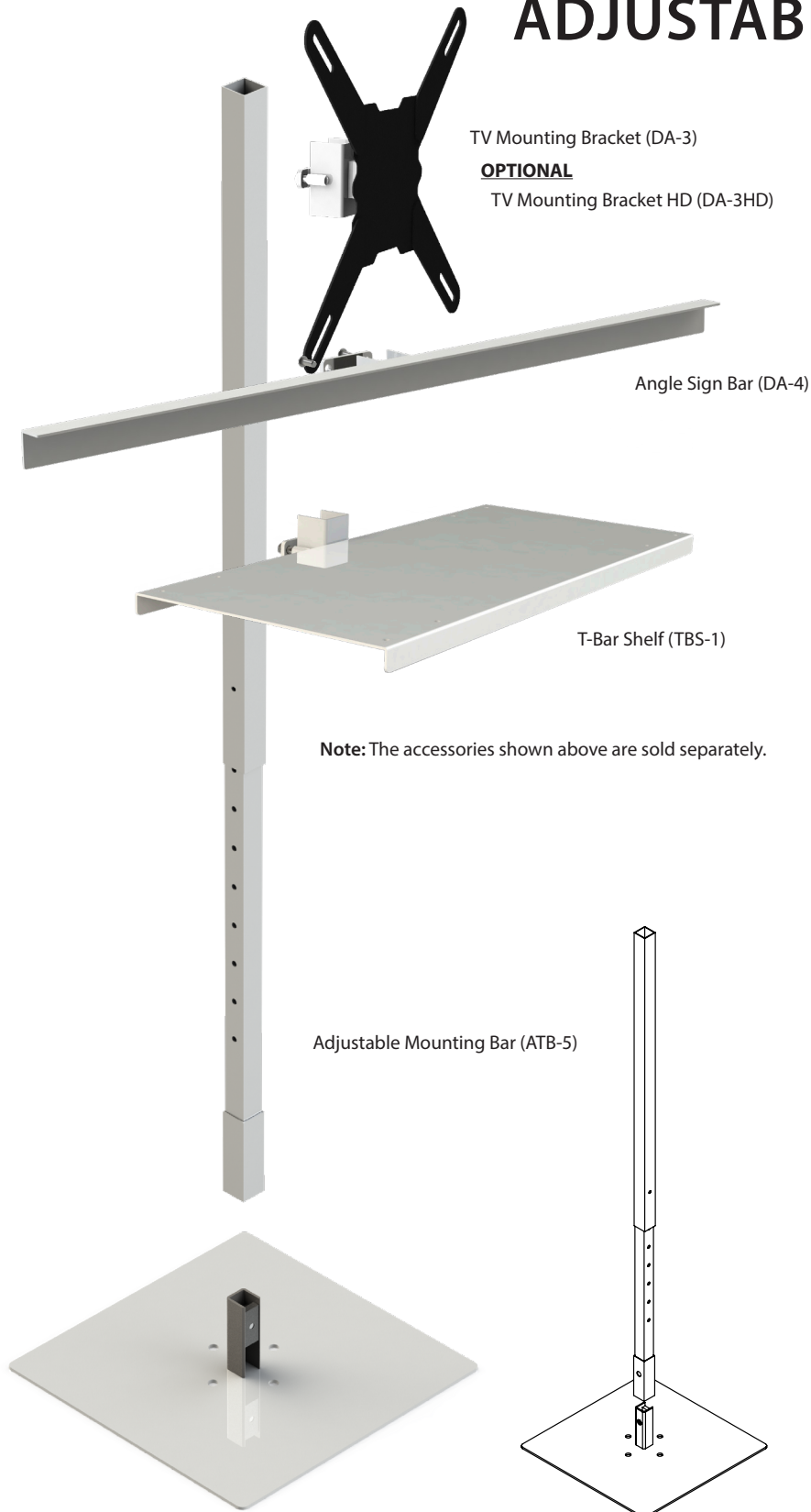
Create freestanding displays for TV's and other electronics in the majors area. With the Adjustable Mounting Bar you can add a TV Mounting Bracket, Angle Sign Bar, and T-Bar Shelf to showcase a wide variety of merchandise.

**Features:**

- 1- adjustable vertical assembly
- 1- 24" base
- Standard 3/8" hardware included

**Specifications:**

- Adjusts 55" to 82" high
- 2" sq tube
- 24" base
- Powder coated steel



# METAL TABLETOPS

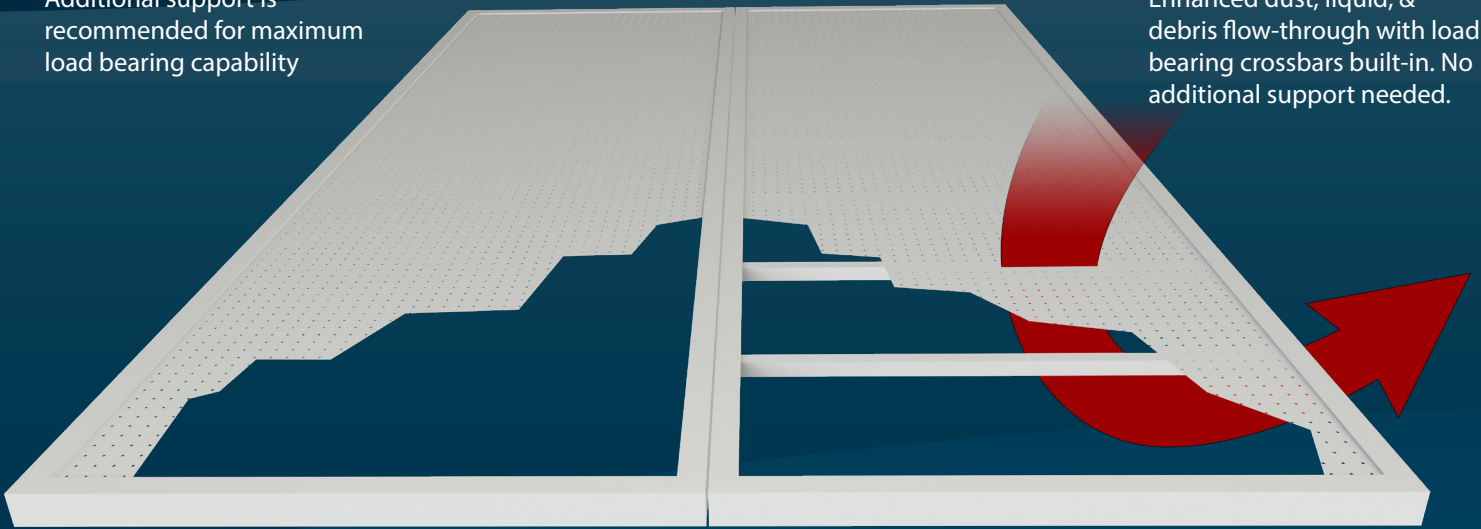
Upgrade from melamine to our Metal Tabletops for superior durability and compatibility with your existing steel. Perfect for showcasing clothing, books, baked goods, and more, our tabletops offer longevity and customization options to suit your specific needs.

## Without Stiffeners

Additional support is recommended for maximum load bearing capability

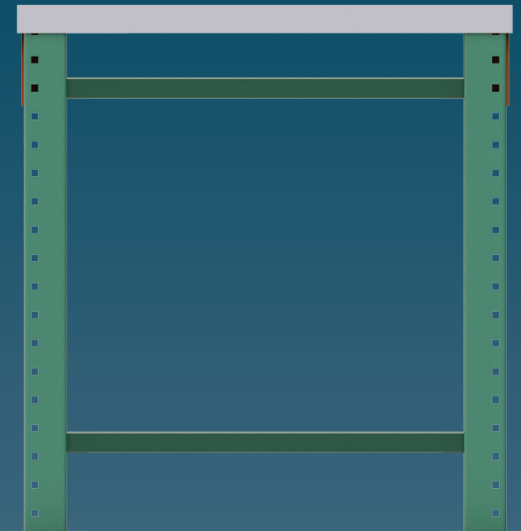
## With Stiffeners

Enhanced dust, liquid, & debris flow-through with load bearing crossbars built-in. No additional support needed.

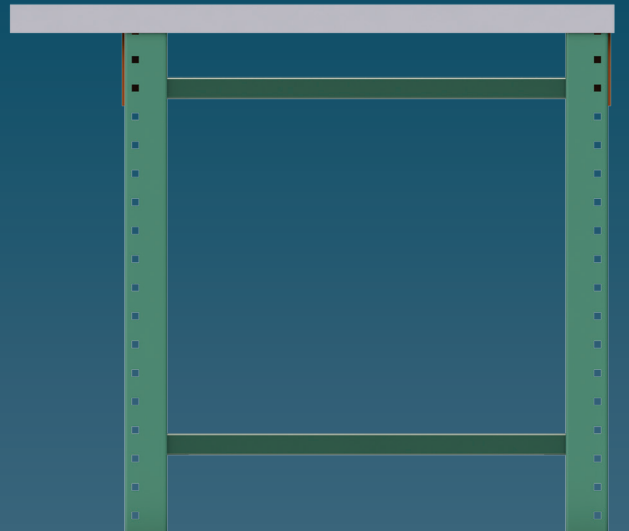


Depending on the configuration of your uprights, you'll choose between wide-fit or narrow-fit tabletops. Wide-fit extends beyond the green steel to accommodate the **spacer bracket that connects both of the uprights.**

## Narrow Fit



## Wide Fit



# EXPERIENCE THE BENEFITS OF METAL TABLETOPS

## Features:

All metal construction  
Perforated steel surface  
Available with or without stiffeners

## Specifications:

Available for 9' long tables  
2" high frame  
Powder coat finish

## Narrow Fit

**PN: TT-1** 9' Narrow Fit, With Stiffeners

**PN: TT-6** 9' Narrow Fit, No Stiffeners

## Wide Fit

**PN: TT-2** 9' Wide Fit, With Stiffeners

**PN: TT-5** 9' Wide Fit, No Stiffeners

Call for more details about custom sizes and colors.



**Note:** Shown with 2 wide fit table tops installed using a spacer bracket.

# TABLE TOP EDGE GUARDS

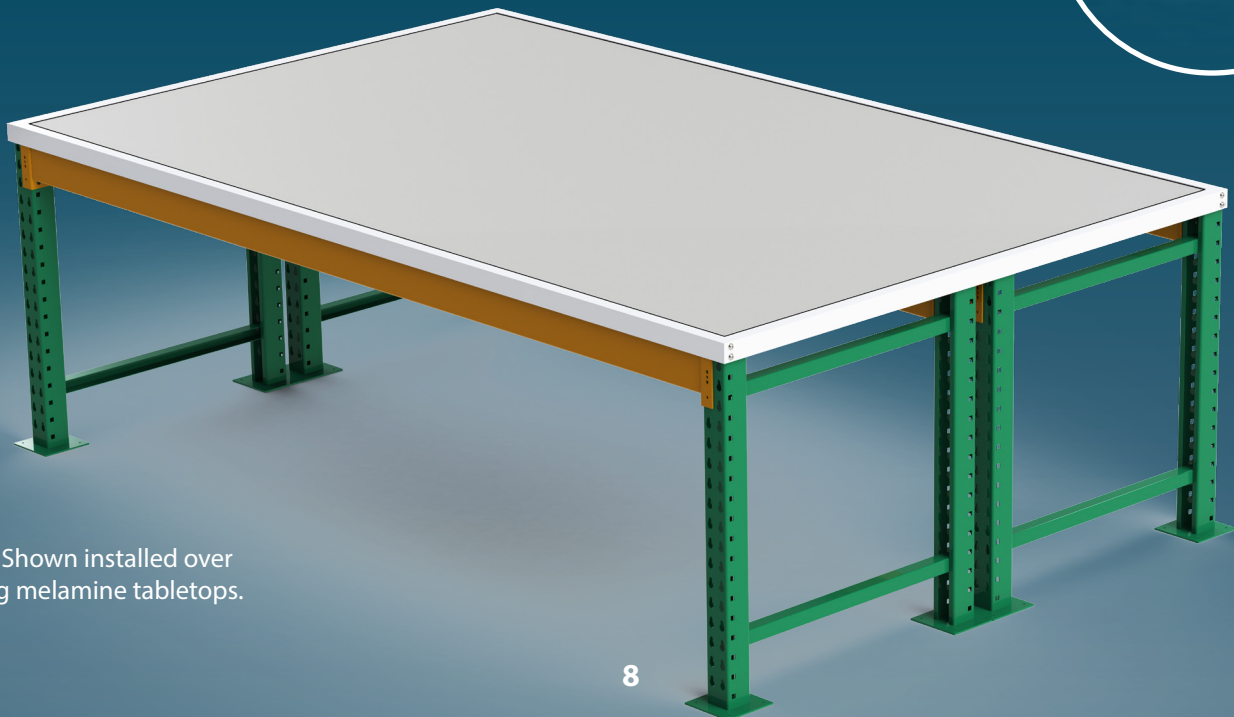
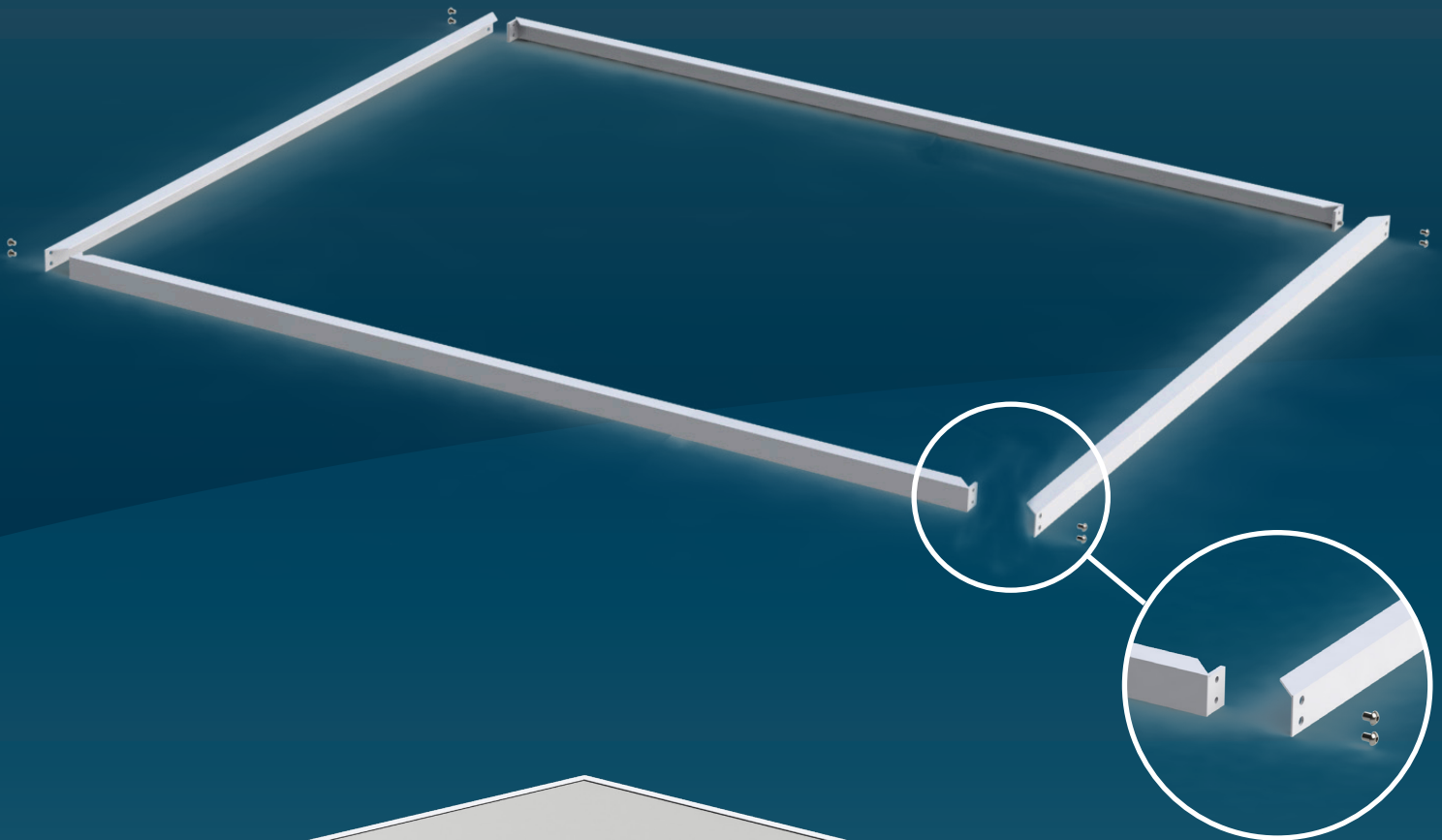
Extend the life of your melamine with our Tabletop Edge Guards. Crafted from heavy-gauge metal, these guards provide robust protection, ensuring clean, smooth edges and corners for your tables

## Features:

- All metal construction
- Quick and easy to install
- Powder coated finish

## Specifications:

- 2" high frame
- Custom fit to table size
- Fine thread machine bolts



**Note:** Shown installed over existing melamine tabletops.



# HIGH CAPACITY CLOTHING HANG BAR

PN: HB-2

The ultimate display for your hang stock is our new High-Capacity Clothing Hang Bar.

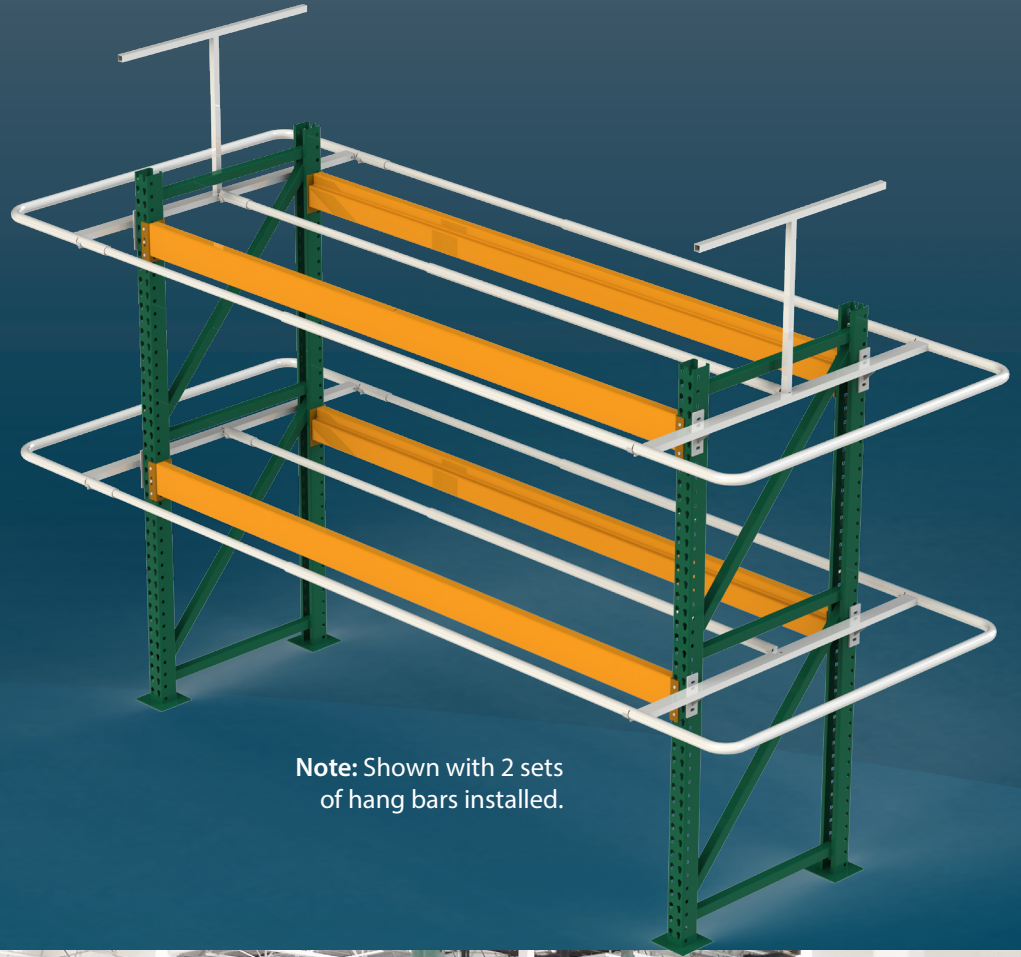
Weight restrictions apply.

## Features:

1.50" round tube, 2" gussets, adjustable length, mini T-Bar sign pole, fits standard 34" wide steel uprights

## Specifications:

56.5" wide  
Expandable to fit 6' to 9' beams  
Powder coated finish



**Note:** Shown with 2 sets of hang bars installed.



# HIGH CAPACITY CLOTHING HANG BAR EXTENSION

Easily converts 9' sections to 18' continuous hanging sections.

**Features:**

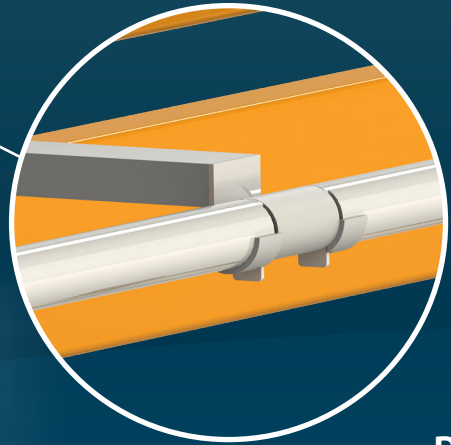
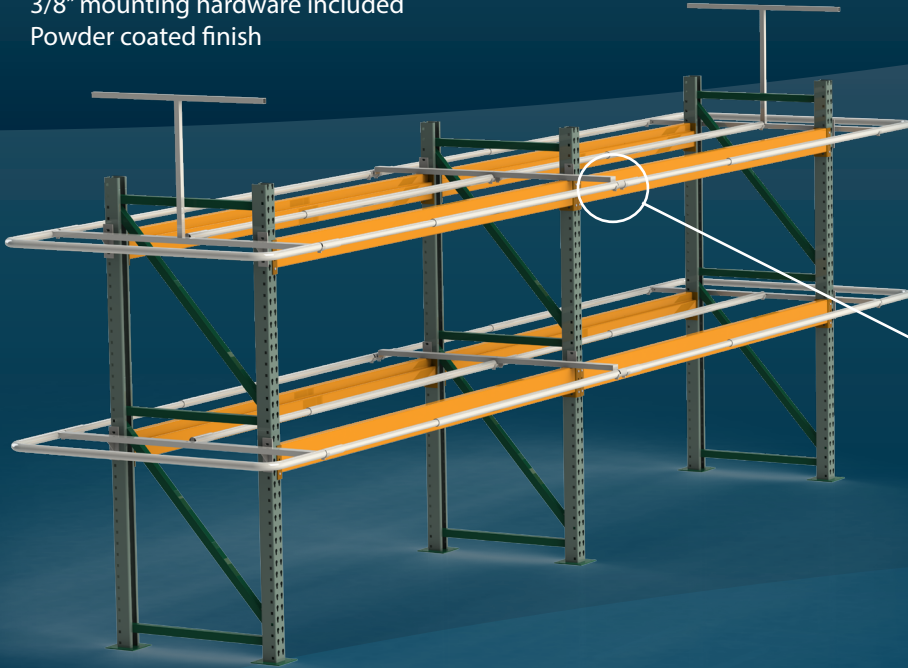
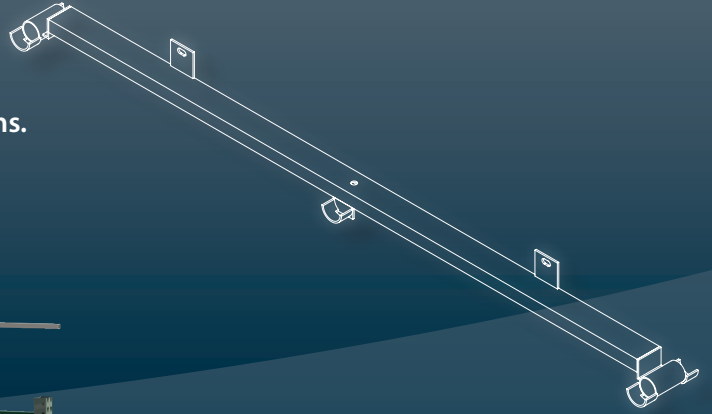
4 bolt design, 2" gussets

**Specifications:**

56.5" wide

3/8" mounting hardware included

Powder coated finish



PN: HB-3

# HIGH CAPACITY CLOTHING HANG BAR VERTICAL DISPLAY ARM

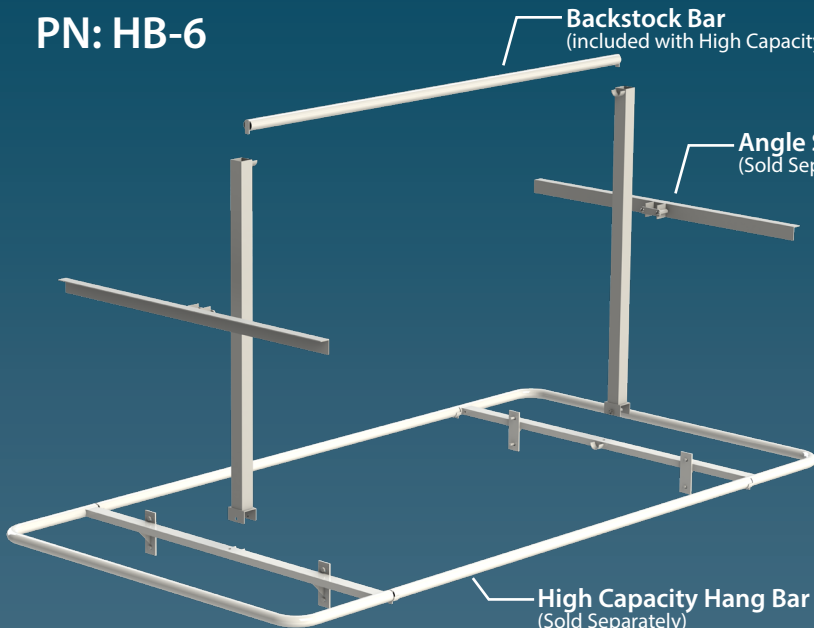
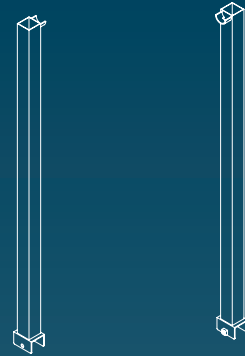
A set of two vertical extensions that work in combination with our High Capacity Hang Bar (HB-2).

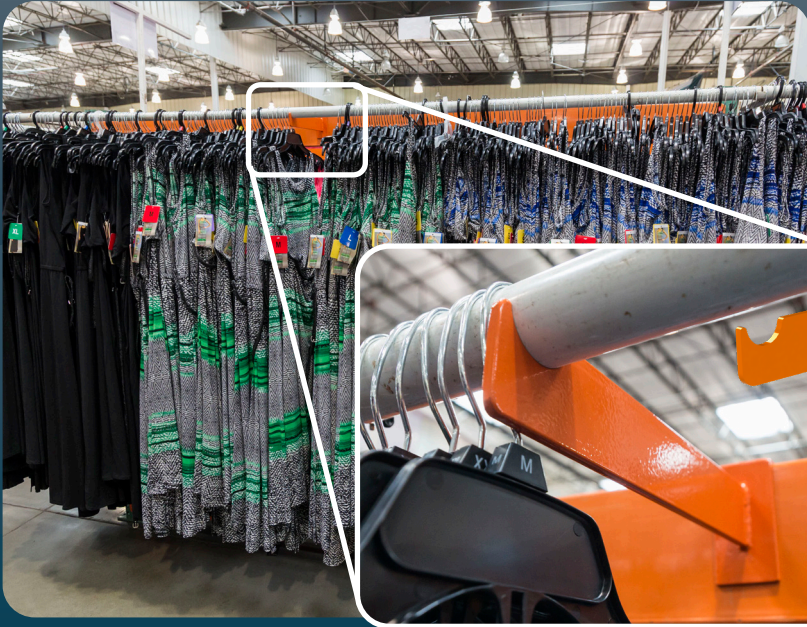
PN: HB-6

**Backstock Bar**  
(included with High Capacity Hang Bar)

**Angle Sign Bar - DA-4**  
(Sold Separately)

**High Capacity Hang Bar - HB-2**  
(Sold Separately)





## HIGH CAPACITY CLOTHING HANG BAR SUPPORT BRACKET



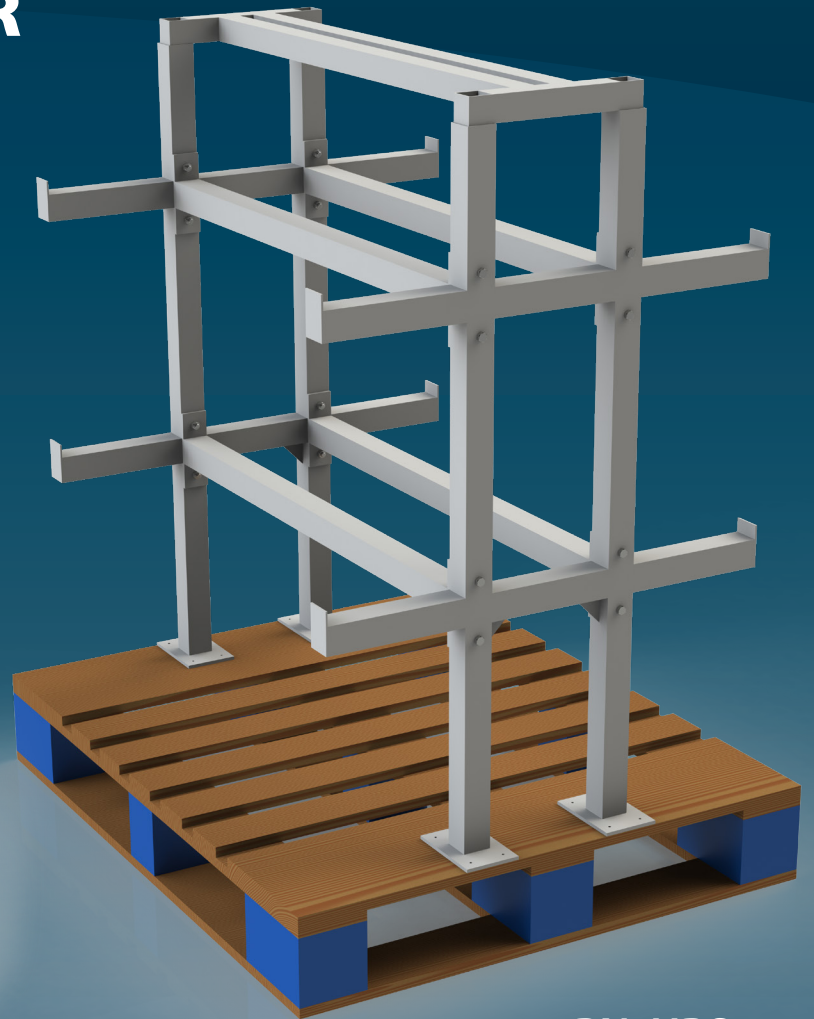
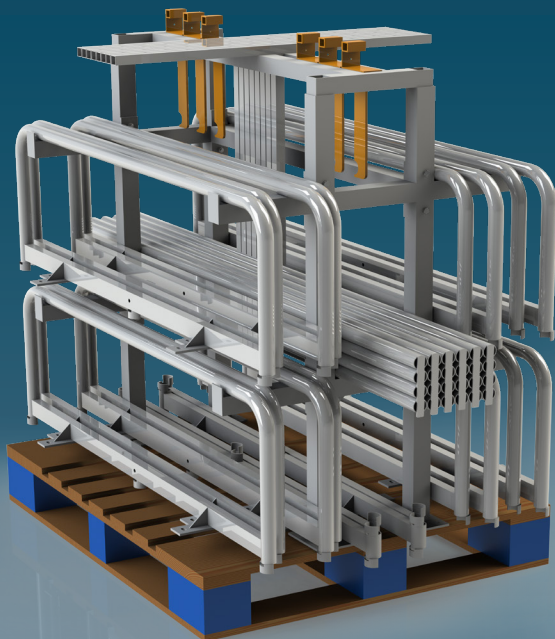
Designed for use on a standard 9' beam, this bracket supports High Capacity Clothing Hang Bars (HB-2) when displaying heavier garments.

**PN: HB-4** for Ridg-U-Rak Steel

**PN: HB-5** for Hannibal Steel

## HIGH CAPACITY CLOTHING HANG BAR STORAGE FIXTURE

Designed to be fastened on a standard sized pallet. The PALette Hang Bar Storage Solution is capable of storing eight sets of High Capacity Clothing Hang Bars (HB-2) with accessories. It can be stored securely in your pallet racking and moved around on a pallet jack or forklift.



Note: Shown with 8 sets of hang bars and accessories, sold separately.

**PN: HBS-1**

# TBar SYSTEM

**Modular Merchandising Solutions**

Wirefab/CSource's 44+ years of fixture design and engineering know how, has resulted in a line of effective warehouse merchandising fixtures with premium quality and value.

The true merit of a modular system lies in the durability, and adaptability of its combined components. This is achieved with the use of the SturdyLock technology, a solid yet simple tensioning system that can withstand the challenges of the ever changing warehouse floor. All CSource modular T-Bars have integrated SturdyLock so there is no hardware to contend with, making for quick assembly, easy storage, and endless options to meet any merchandising challenges.

**STURDY LOCK!**  
MODULAR WITH

UNLOCKED POSITION

3/8" HEX WRENCH  
THE ONLY TOOL REQUIRED FOR FULL ASSEMBLY

LOCKED POSITION



**NO MORE FULLY WELDED T-BARS**

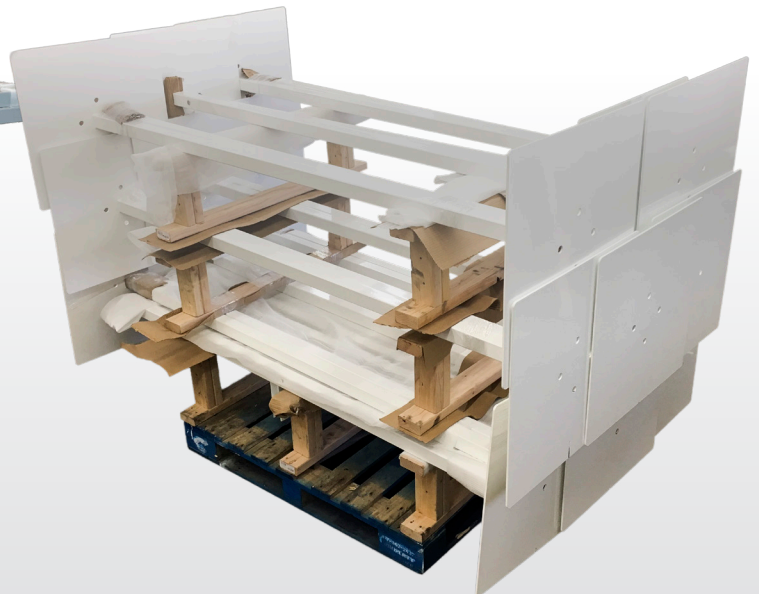
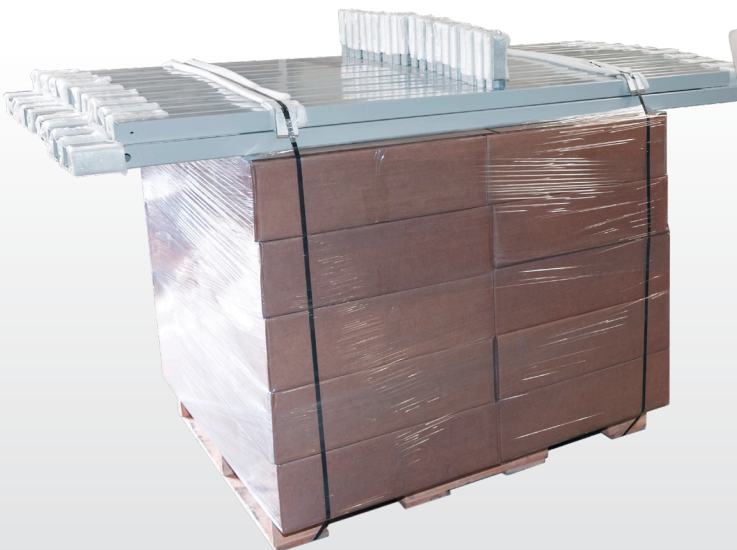
**DID YOU KNOW?**

We can ship

**20 T-BARS**  
ON ONE PALLET  
3-PC MODULAR

and...

**18 T-BARS**  
ON ONE PALLET  
2-PC MODULAR



## MODULAR T-BAR MERCHANDISING SYSTEM

*Developed by Merchandising Managers -- engineered and built by Wirefab / CSource*

# LARGE 3PC T-BAR

PN: TB-1

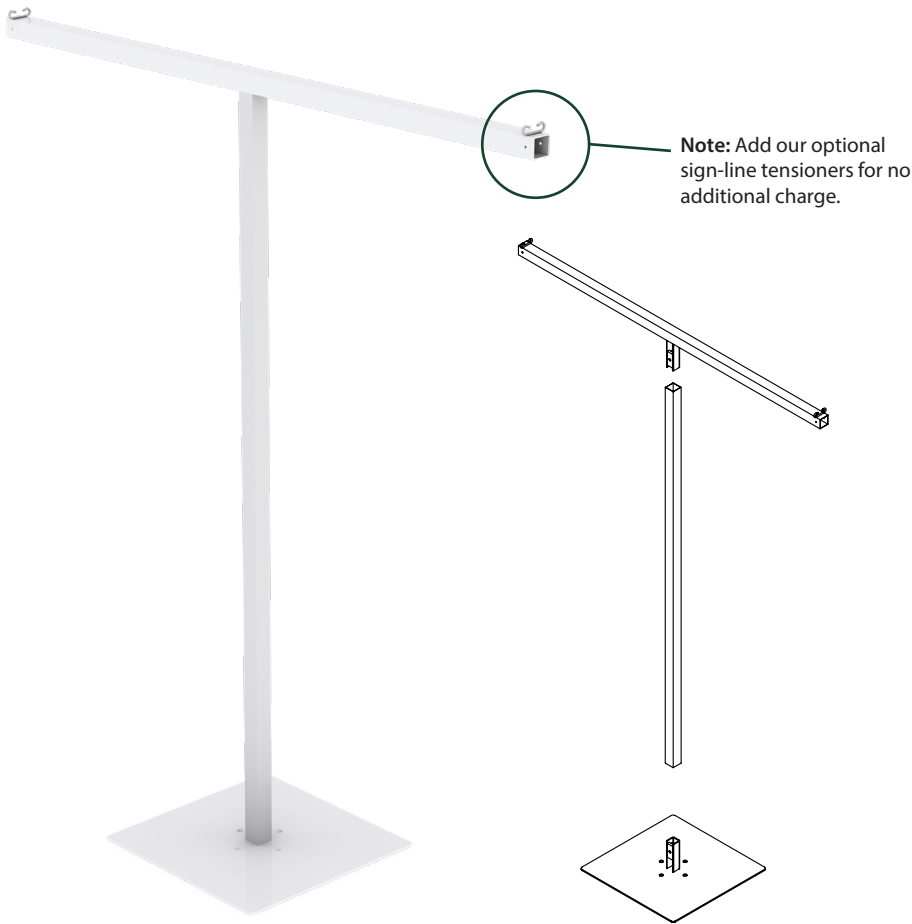
The standard T-Bar with the additional benefit of modularity. Allows for quick and easy take-down and set-up to reduce back injuries. Components efficiently store in the back room. Best if combined with the 3pc Storage PALette (see page 16).

**Features:**

- 1- large horizontal bar
- 1- large vertical bar
- 1- 12" or 24" base

**Specifications:**

2" sq tube, 84" high, 76" wide, 24" base,  
Powder coated steel (custom sizes available)



# LARGE 2PC T-BAR

PN: TB-3

The standard T-Bar with the additional benefit of modularity. Allows for quick and easy take-down and set-up to reduce back injuries. Components efficiently store in the back room. Best if combined with the 2pc Storage PALette (see page 17).

**Features:**

- 1- large horizontal bar
- 1- large vertical bar welded to 12" or 24" base

**Specifications:**

2" sq tube, 84" high, 76" wide, 24" base,  
Powder coated steel (custom sizes available)



# SMALL 3PC T-BAR

PN: TB-2

Designed for use with table or pallet stacks. The Small T-Bar set seamlessly interchanges with the Large T-Bar components and all T-Bar shelving systems.

**Features:**

- 1- small horizontal bar
- 1- small vertical bar
- 1- 12" or 24" base

**Standard Specs:**

2" sq tube, 42" high, 60" wide, 12" or 24" base,  
Powder coated steel (custom sizes available)



# SMALL 2PC T-BAR

PN: TB-4

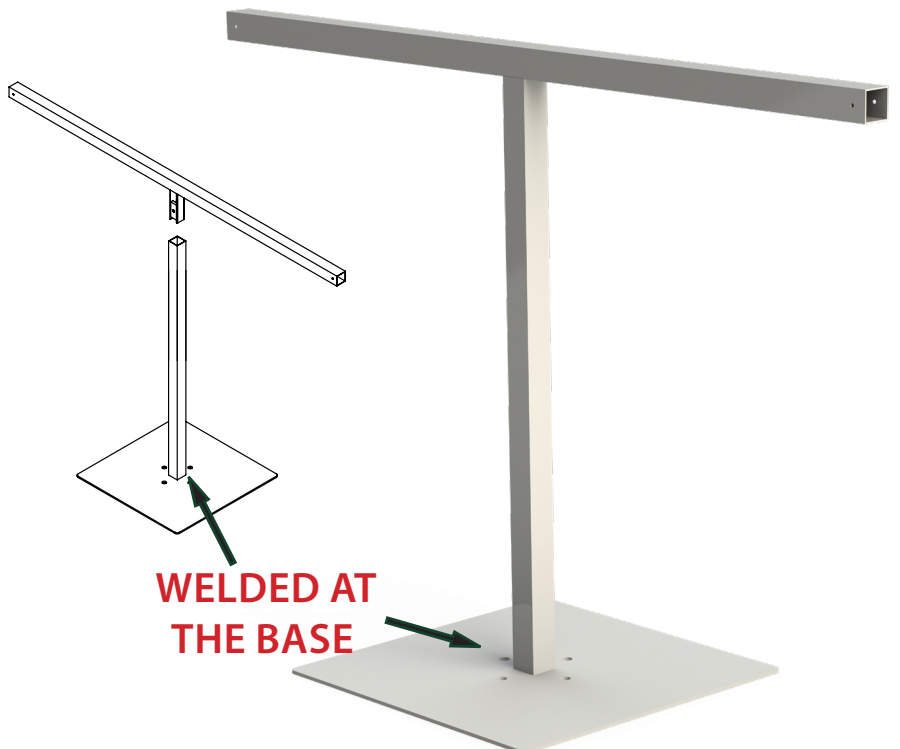
Designed for use with table or pallet stacks. The 2pc Small T-Bar set interfaces with other modular T-Bar components and T-Bar shelving systems.

**Features:**

- 1- small horizontal bar
- 1- small vertical bar welded to 12" or 24" base

**Standard Specs:**

2" sq tube, 42" high, 60" wide, 12" or 24" base,  
Powder coated steel (custom sizes available)



# SMALL 1" 2PC T-BAR

PN: TB-7

Designed for use with table or pallet stacks in centers, our new 1" T-Bar is a light-weight, cost-saving alternative to the 2" sq. tube T-Bar.

**Features:**

- 1- small horizontal bar
- 1- small vertical bar welded to a 6" or 12" base

**Standard Specs:**

- 1" sq tube, 42" high, 48" wide, 6" or 12" base,
- Powder coated steel (custom sizes available)



# PRODUCE 3PC T-BAR

PN: TB-10

Smaller than our Large T-Bar, for use in the produce area. These T-Bar components interface with other modular T-Bar components and T-Bar shelving systems.

Also available in: 2-piece (PN:TB-11)

**Features:**

- 1- large horizontal bar
- 1- large vertical bar
- 1- 12" or 24" base

**Specifications:**

- 2" sq tube, 72" high, 60" wide, 24" base,
- Powder coated steel (custom sizes available)



# PALETTE (3PC) T-BAR STORAGE SOLUTION

PN: TBP-1

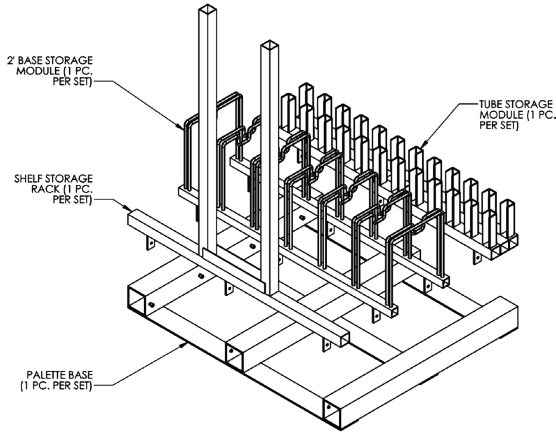
Designed with the same footprint of a standard sized pallet. The PALETTE 3pc T-Bar Storage Solution is capable of storing up to twelve modular 3pc T-Bars along with six T-Bar shelves. It can be stored securely in your pallet racking, and moved around on a pallet jack or forklift.

## Features:

- 1- pallet base
- 1- tube storage module
- 1- base storage module
- 1- shelf storage rack

## Specifications:

40" x 48", 54" tall, Powder coated steel  
(90" tall loaded with standard T-Bars)



SAFELY MOVE AND  
STORE T-BARS AROUND  
YOUR WAREHOUSE



**Note:** Shown loaded with (12) Large, 3pc T-Bars and Accessories. T-Bars and Accessories are sold separately.



# PALETTE (2PC) T-BAR STORAGE SOLUTION

PN: TBP-2

Designed to be fastened on a standard sized pallet. The PAlette 2pc T-Bar Storage Solution is capable of storing modular 2pc T-Bars. Easily and securely store T-Bars in your pallet racking, or move them around with a pallet jack or forklift.

**Features:**

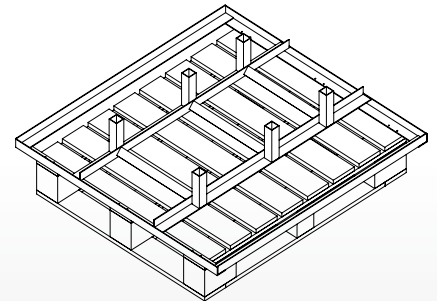
1- fully welded palette base

**Specifications:**

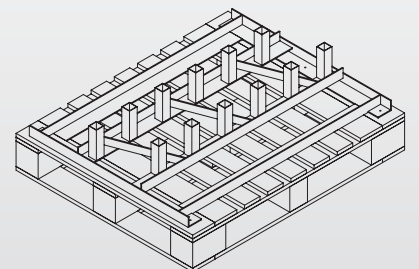
50" x 48", 7.5" tall, Powder coated steel



**Note:** 24" base version shown above loaded with (6) Large 2pc T-Bars. T-Bars are sold separately.



24" BASE VERSION  
HOLDS (6) 2PC T-BARS



12" BASE VERSION  
HOLDS (12) 2PC T-BARS

# ADJUSTABLE T-BAR

PN: ATB-1

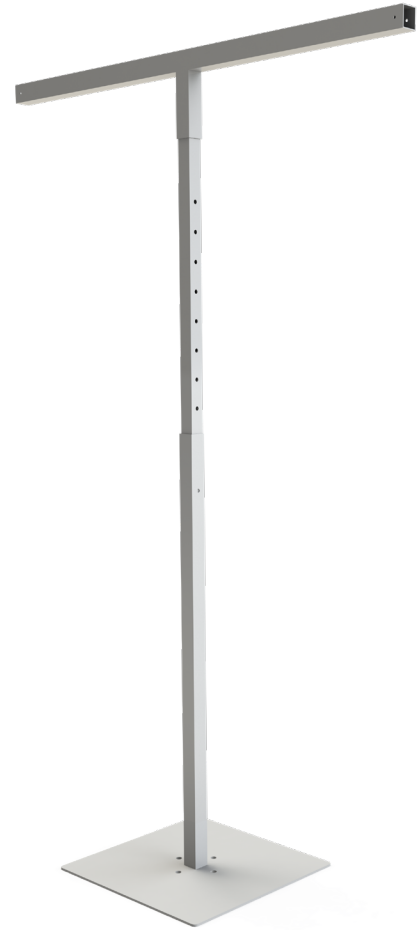
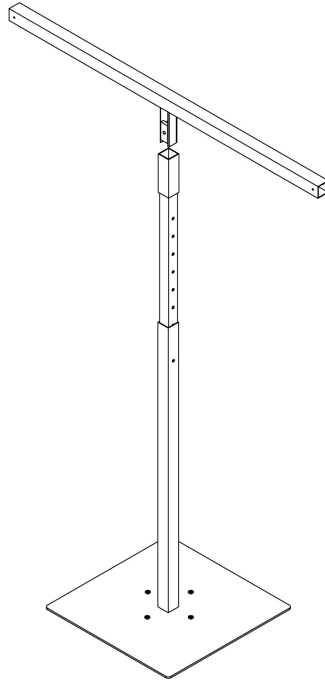
This versatile T-Bar adjusts in height from 56" to 84" in three inch increments, opening the door to a whole new range of merchandising possibilities, like challenging seasonal displays. These T-Bar components interface with other modular T-Bar components and T-Bar shelving systems.

**Features:**

- 1-adj. vertical bar assembly
- 1-horizontal bar
- 1-24" base
- Standard 3/8" hardware included

**Specifications:**

- Adjusts 56" to 84" high, 60" wide, 24" base,
- Powder coated steel



# ADJUSTABLE SIGN LINE POLE

PN: ATB-2

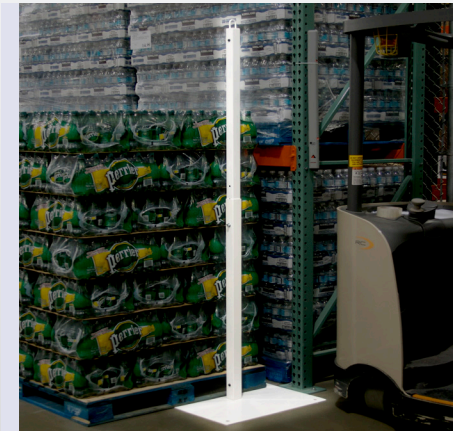
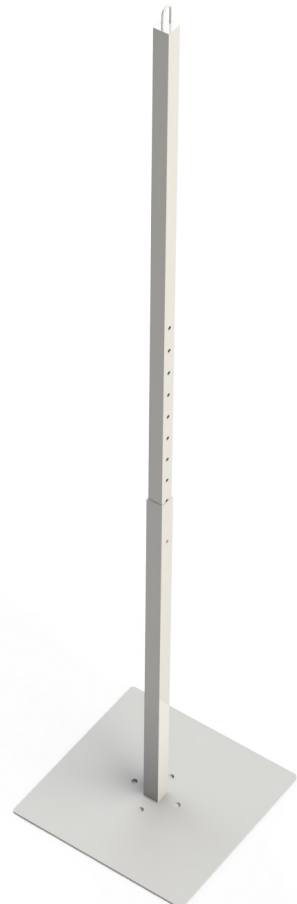
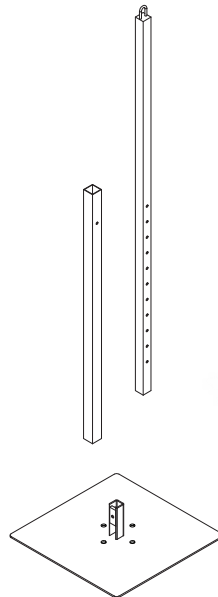
A great solution for sign posting fence line pick-stock. The adjustable cable pole is capable of running sign line at varying heights between 78" and 108".

**Features:**

- 1- adjustable sign-line assembly
- 1- 24" base
- Standard 3/8" hardware included

**Specifications:**

- Adjusts 78" to 108" high, 24" base,
- Powder coated steel



# T-BAR DISPLAY ARM

PN: TBA-1

Designed to attach to any standard 2" T-Bar.  
Conveniently displays hanging merchandise.

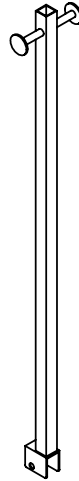
Also available in: 1" clamp design. (PN:TBA-2)

**Features:**

Easy installation, no sharp edges, powder coat finish

**Specifications:**

36" high, 5" wide hanger,  
3/8" mounting hardware included  
Powder coated steel



# T-BAR EXTENDED SIGN BAR

PN: TB-9

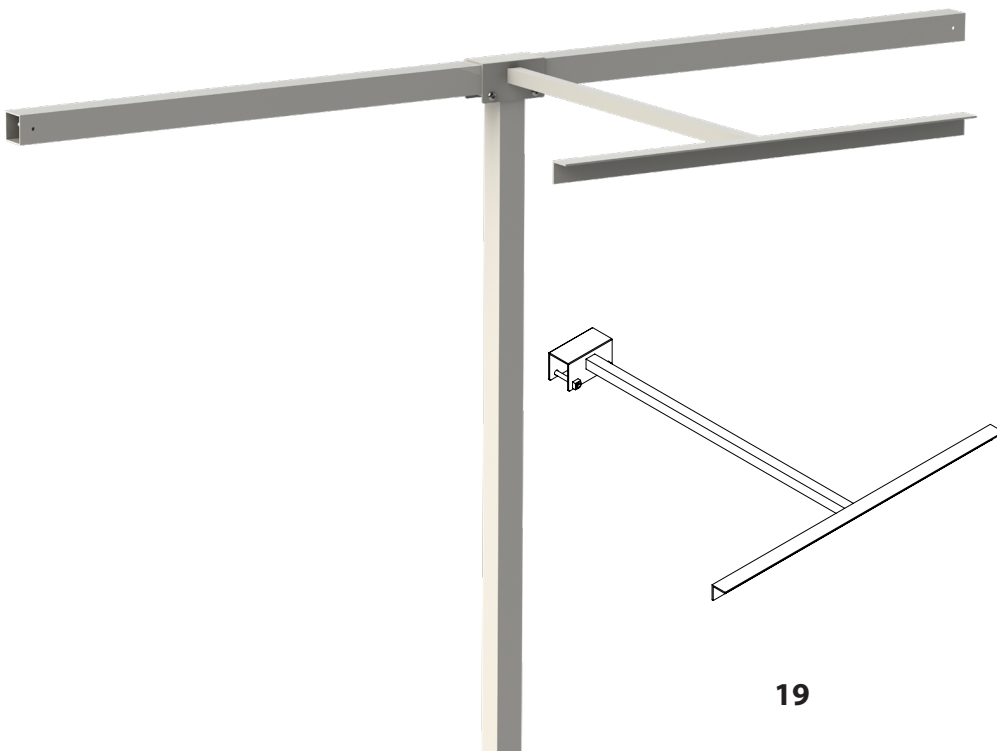
Designed to extend the sign bar space. Attaches to 2" square T-Bar.

**Features:**

1- horizontal sign bar extension

**Specifications:**

32" wide x 32" deep  
3/8" mounting hardware included  
Powder coated steel



# LARGE FREESTANDING ADJUSTABLE SHELF

PN: ATB-4

Originally designed with two shelves, the new large adjustable freestanding shelf will accommodate larger TV's and a variety of merchandise such as bicycles and seasonal items. Multiple shelves can be placed in series to extend the display platform.

**Features:**

- 1- adjustable vertical bar assembly
  - 1- large shelf with zip-tie mounting holes
  - 1- 24" base
- Standard 3/8" hardware included

**Specifications:**

Adjusts 44" to 62" high, 48" wide x 32" deep shelf, 24" base, Powder coated steel



# T-BAR TOP SHELF

PN: TBS-2

Developed to 'float' display models. Designed for mounting on a standard 2" square tube.

Also available in larger size (PN:TBS-3)

**Features:**

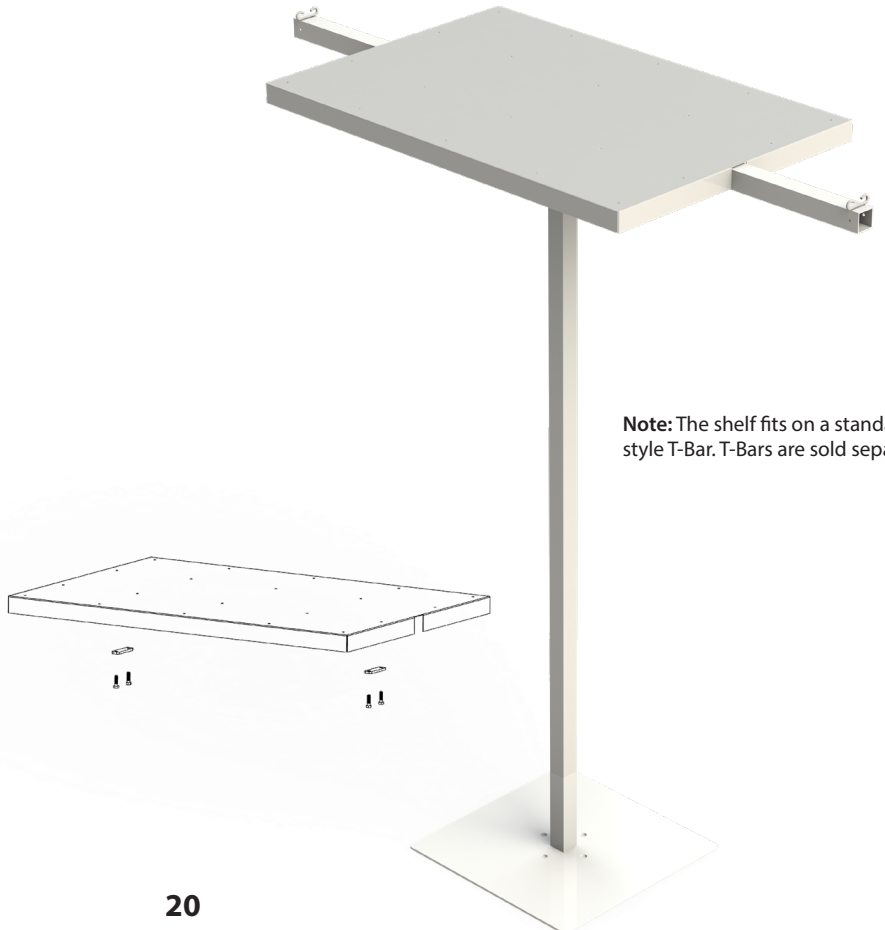
- Zip-tie mounting holes on shelf
- 3/8" mounting hardware included

**Specifications:**

**TBS-2** - 48" wide x 32" deep

**TBS-3** - 60" wide x 36" deep

Powder coated steel



**Note:** The shelf fits on a standard 2" style T-Bar. T-Bars are sold separately.

# FREESTANDING ADJUSTABLE SHELF

PN: ATB-3

This adjustable freestanding shelf has been used in many creative ways to merchandise a wide variety of items. One example is to place the shelf within a 4-square to display electronic items.

**Features:**

- 1- adjustable vertical bar assembly
- 1- large shelf with zip-tie mounting holes
- 1- 24" base
- Standard 3/8" hardware included

**Specifications:**

Adjusts 44" to 62" high, 24" base, 48" wide x 14.5" deep, Powder coated steel



# T-BAR SHELF

PN: TBS-1

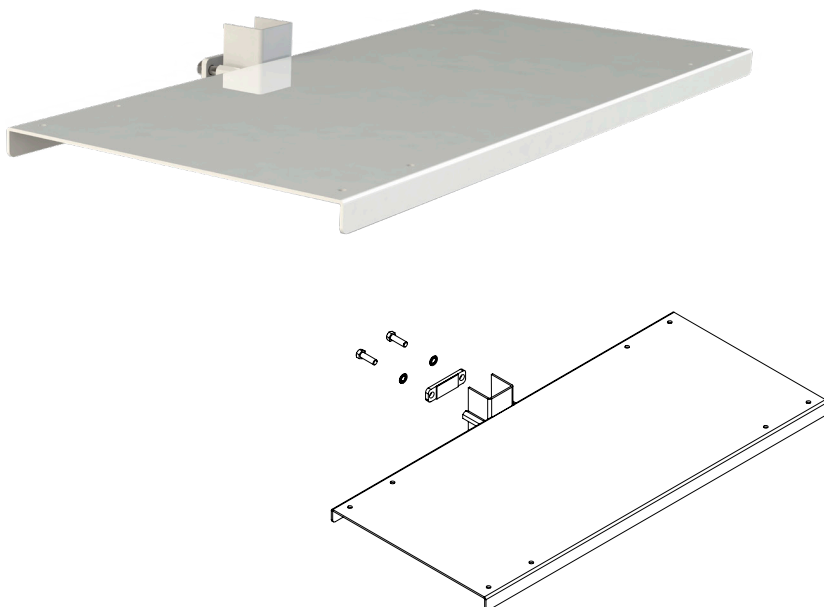
Developed to 'float' display models. Designed for mounting on a standard 2" square tube.

**Features:**

- Zip-tie mounting holes on shelf
- 3/8" mounting hardware included

**Specifications:**

32" wide, 14.5" deep, Powder coated steel



# PRODUCT DISPLAY TABLE & ADD ON SHELF

## PN: PD-1

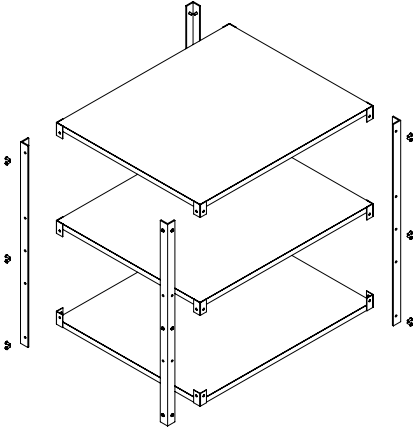
The newly redesigned Product Display Table features reinforced shelves for supporting heavyweight merchandise. The knockdown design provides cost efficient shipping and convenient back room storage.

### Features:

Heavy duty frame, reinforced shelves, fits 40"x 48" pallet

### Specifications:

48" high, 39.75" wide, 47.75" long, equal shelf spacing: 22", Black powder coated steel



## PN: PD-2

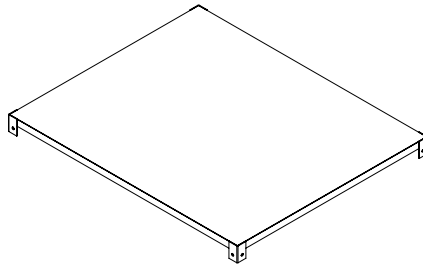
The optional Add-On Shelf offers versatility to the Product Display Table and allows for a wide variety of merchandise to be displayed with less open display space.

### Features:

Heavy duty frame, reinforced shelf

### Specifications:

Equal shelf spacing becomes: 14"  
Black powder coated steel



**Note:** Configuration in back shows the Product Display Table with Add On Shelf included, items are sold separately.

# PLANT T-BAR

PN: TB-6

Convenient for plant displays. Modularity allows for quick and easy take-down and setup. Components efficiently store in the back room.

**Features:**

- 1- horizontal bar with fixed vertical bar
- 1- 10" x 10" base

**Specifications:**

- 36" high, 24" wide, 10" x 10" base,
- Powder coated steel



# PLANT SIGN BAR

PN: TB-8

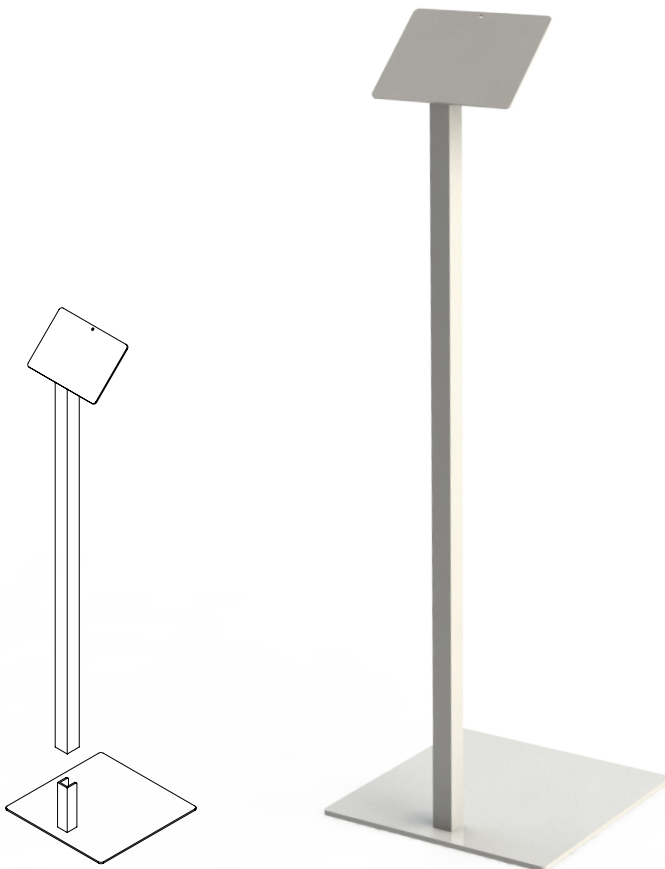
Designed for the garden center to be used as a single plant sign holder. Lightweight design for easy and convenient use and storage.

**Features:**

- 1- vertical bar with 5"x7" fixed sign plate
- 1- 10" x 10" base

**Specifications:**

- 36" high, 10" x 10" base, Powder coated steel



# HEIGHT ADJUSTABLE FOLDING TABLE

PN: FT-1

Designed to provide a balanced combination of functionality, ergonomics and durability, the folding table is your best defense in the relentless battle of keeping folded goods tidy and soft-lines moving.

**Features:**

All metal construction, fold-out top surface, adjustable height, 3.5" bumpers

**Specifications:**

18" wide, 38.5" length, 35"-42" high, fold-out top surface adds 18", 4" swivel/non-marking casters, Black powder coat finish



**Note:** The blue folding board is sold separately.



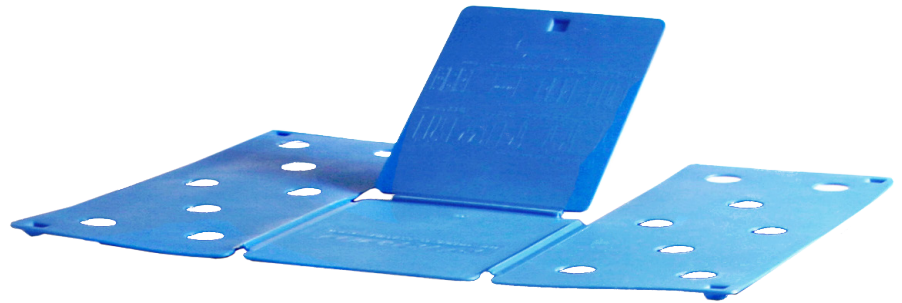
# FLIP-FOLD FOLDING BOARD

PN: FB-1

FlipFOLD can fold any size shirt (small-XXXL) to a uniform size 9"x12" in five seconds, for a consistent uniform fold every time.

**Features:**

Fits in folding table holder, no sharp edges





# TABLE PRODUCT SUPPORT

PN: PS-1

Designed to stabilize products displayed on tables. This durable support is ideal for organizing blister packs, folded garments, or other slippery merchandise. Available in multiple sizes.

**Features:**

Clear, durable PETG material  
Radial corners with no sharp edges  
High friction feet to prevent sliding

**Specifications:**

**PS-1** - 12" high, 12" wide, 7.5" deep

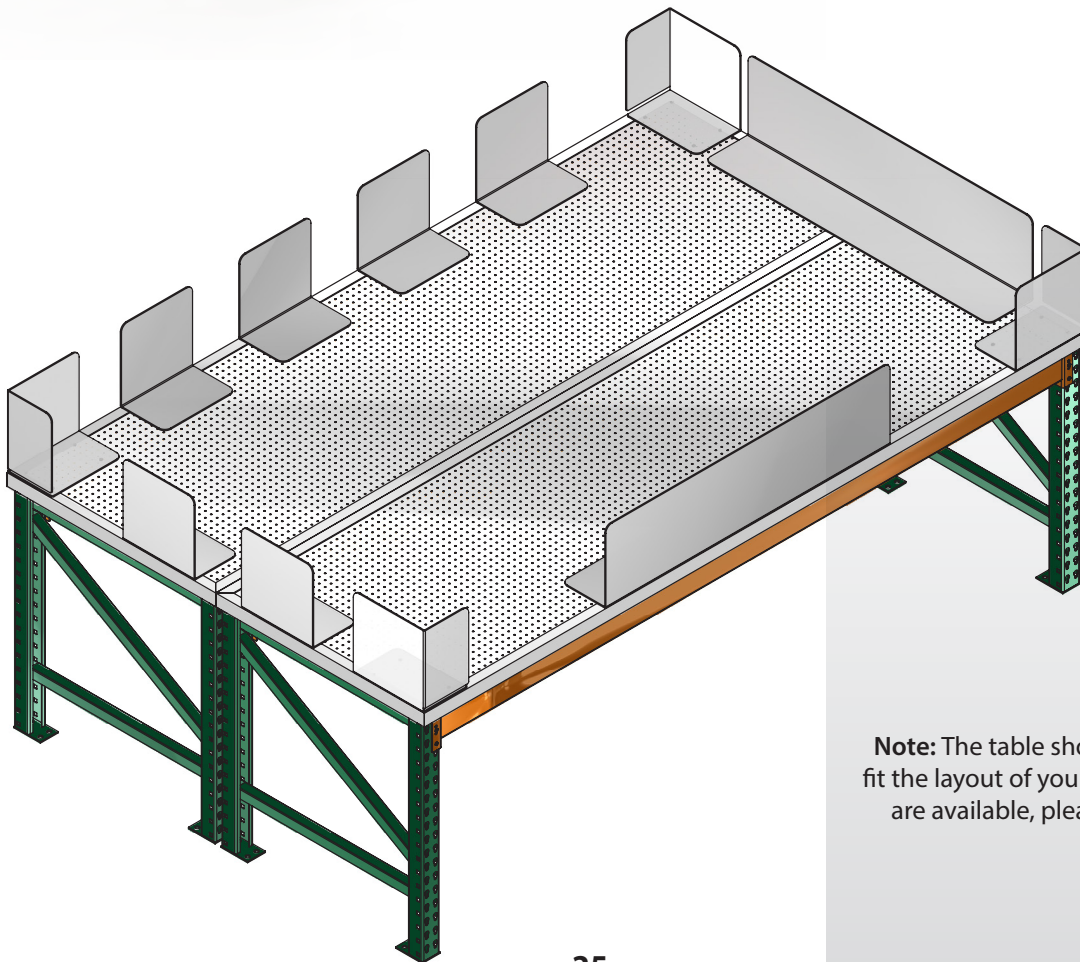
**PS-3** - 12" high, 36" wide, 7.5" deep (Wide)

**PS-4** - 12" high, 46" wide, 7.5" deep (Extra-wide)

**PS-5** - 12" high, 12" wide, 7.5" deep (Corner)



**ABOVE:** Corner option (PS-5)  
**LEFT:** Standard size (PS-1)



**Note:** The table shows various sizes to fit the layout of your table. Custom sizes are available, please call for details.

# CARDBOARD BOX BIN

PN: BB-1

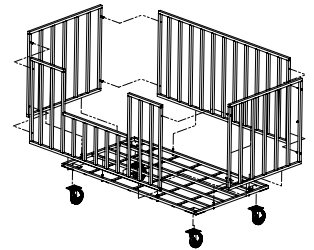
Convenient storage for empty cardboard boxes. Easy to maneuver with large 5" swivel casters.

**Features:**

1" square tube, 5" polylock swivel casters, knock-down design for storage

**Specifications:**

41" deep x 73" wide x 43" high  
White powder coated steel



# SLANTED PILLOW BIN

PN: PB-2

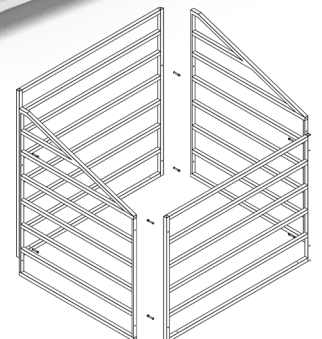
Designed to manage and merchandise various soft-line items. CSource Pillow Bins are easy to assemble and disassemble for convenient storage when not in use.

**Features:**

1" square tube, knock-down design for storage

**Specifications:**

48" long x 40" wide x 48" high  
White powder coated steel



# CHAIR STOP

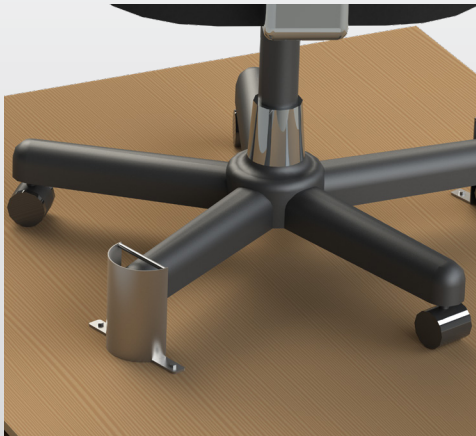
PN: CS-1

Designed to secure office chairs to display platforms. The Chair Stops are easy to install using wood screws.

Sold in sets of 2.

**Specifications:**

3.5" diameter, 5" high, 1.75" deep, Powder coat satin black finish



# TENT DISPLAY T-BAR

PN: TD-1

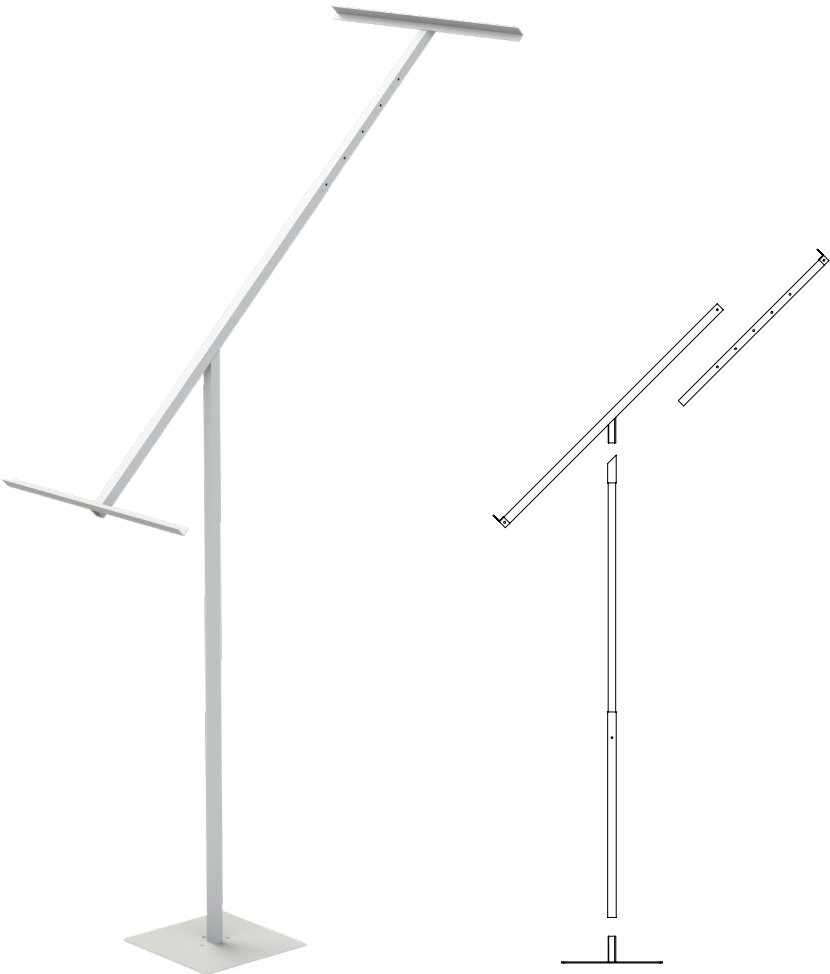
Designed to display fully assembled small tents and light weight inflatable products. The vertical pole is 108" tall. The product support arm is 48" wide and adjusts in length from 7' to 9'. The 24" wide base plate must be securely bolted to the floor.

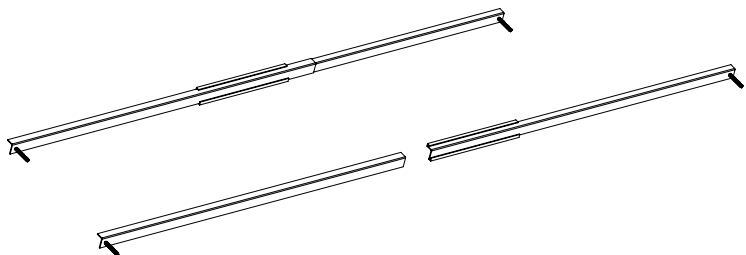
**Features:**

- 1- 24" base
- 1- 108" vertical pole
- 1- Products support arm assembly

**Specifications:**

Product support arm adjusts 7' - 9'; Powder coated steel





## ADJUSTABLE ANGLE SIGN BAR

PN: AAH-1

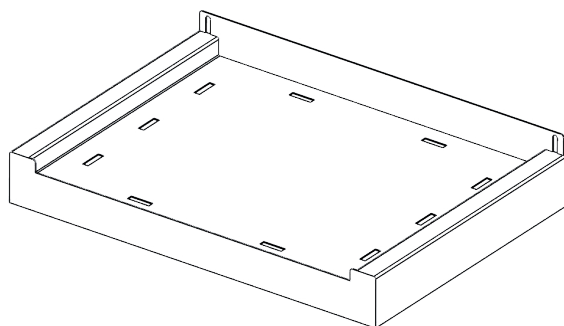
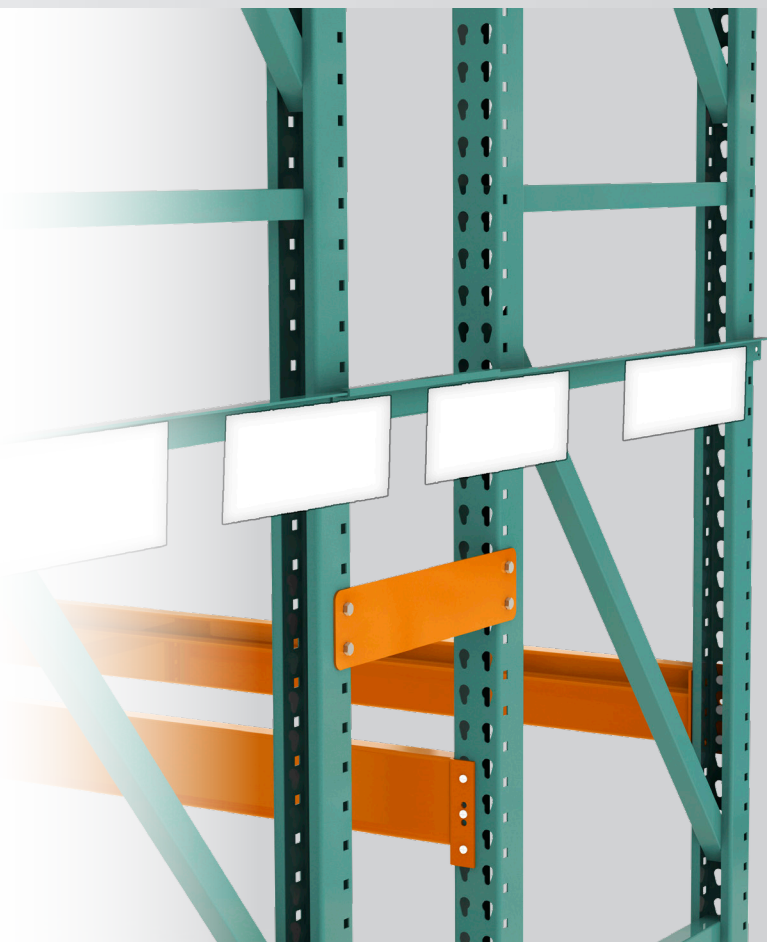
Designed to expand and mount to all steel end caps. Two bolts attach the sign bar easily to the steel upright. Very economical to ship.

**Features:**

Adjustable and easy to install  
1/8" thick steel

**Specifications:**

1" x 1 1/2" formed angle  
adjusts 53" to 88"  
Green powder coat finish



## END-CAP SHELF

PN: RW-1

A refined solution for end-cap shelving, this attractive, low-profile shelf enhances the presentation of display items and elevates the appearance of the entire department. Weight restrictions apply.

**Features:**

Easy mounting  
secure strap slots  
3/8" mounting hardware included

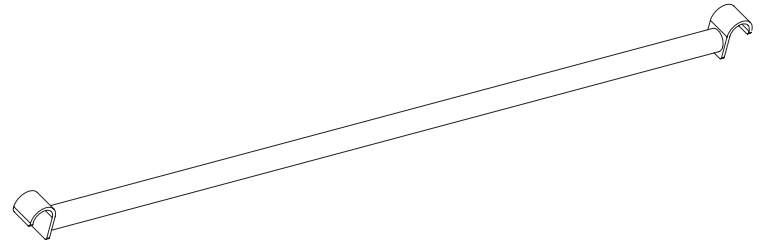
**Specifications:**

34" wide, 24" deep, 3" high  
Durable powder coat finish



Note: Cantilever arms not included.

**RACKWORKS** is the go-to collection for smart and simple fixtures designed to optimize merchandise organization. Display various merchandice in your hardlines using the green steel uprights in your warehouse.



## FACE-IN BARS

**PN: RW-2**

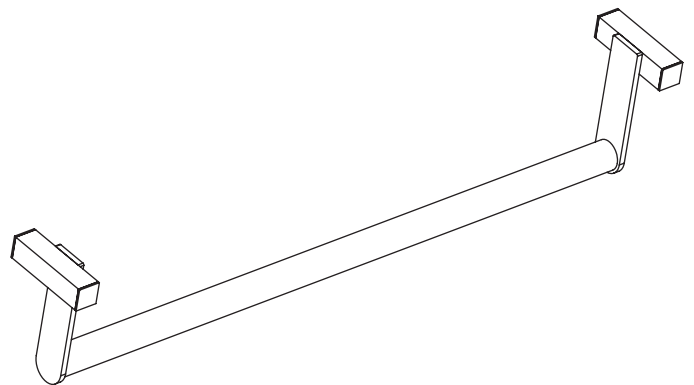
Face-In Bars work in unison with Face-Out Bars, allowing hang stock to be merchandised in an easy access, face-in position. This is ideal for all clothing and sportswear such as jackets, wet-suits and life preservers.

**Features:**

- 1.25" round tube
- Easy-set design
- Face-Out Bar compatible

**Specifications:**

- 47.5" wide
- Black powder coat finish



## FACE-OUT BARS

**PN: RW-3**

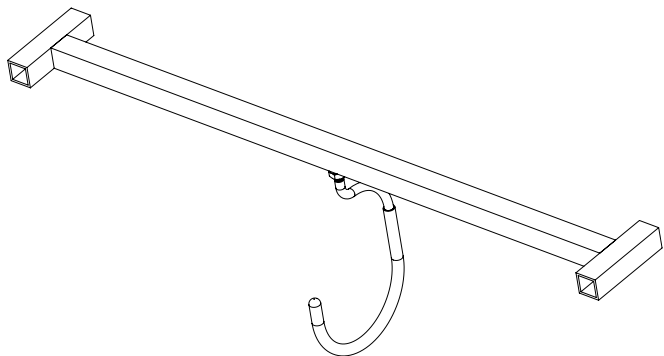
Solve the challenge of merchandising standard and seasonal hang-stock. Individual RackWorks Face-Out Bars easily arrange to support and display all types of hanging items in an outwardly facing position.

**Features:**

- 1.25" round tube,
- Easy-set span design,
- Face-In Bar compatible

**Specifications:**

- 30.5" wide, 6" drop
- Black powder coat finish



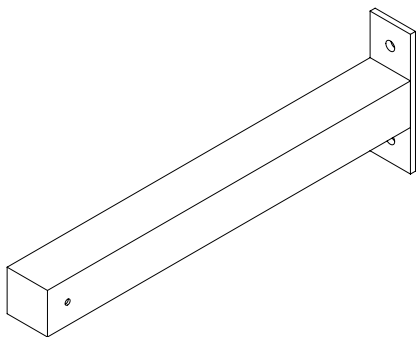
## BIKE BARS

PN: RW-4

Streamline bicycle merchandising with easy-set adjustable Bike Bars. The custom wide-mouth hook makes mounting and removal easier by accommodating nearly all wheel and tire sizes.

**Features:**  
easy-set design  
wide mouth hook  
protective rubber sleeve

**Specifications:**  
30.5" wide, 9" drop  
black powder coat finish



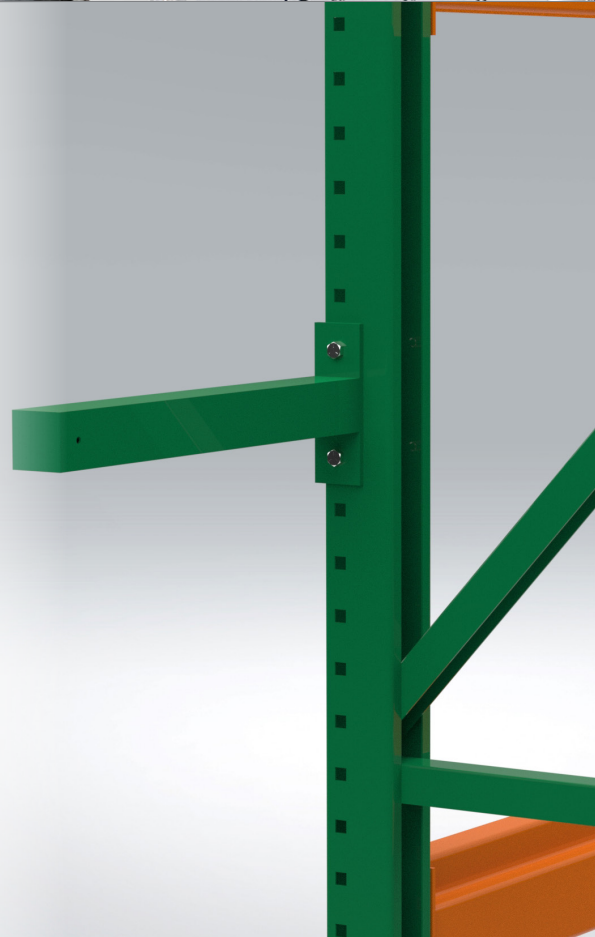
## PALLET RACK SIGN BAR

PN: RW-5

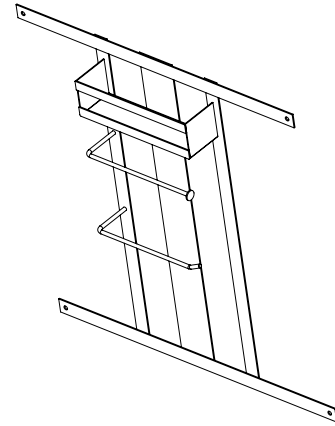
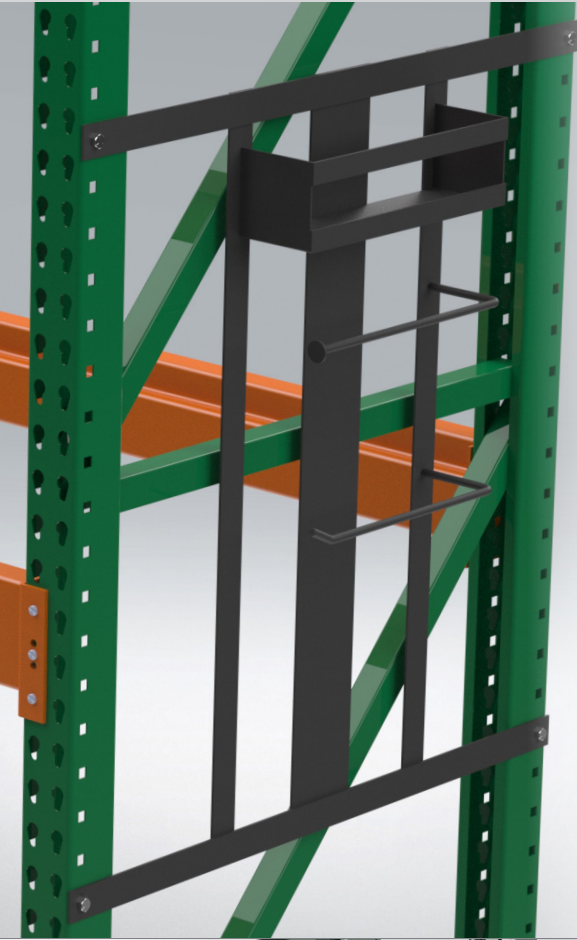
The simple yet ingenious solution for warehouses seeking to display signage beyond vertical uprights or along their fences. Designed to tackle common signage challenges, this versatile fixture effortlessly enhances visibility in the trickiest spaces.

**Features:**  
2" square tube

**Specifications:**  
18" long  
powder coated finish  
3/8" mounting plate



# RACK WORKS PALLET RACK MERCHANDISING SOLUTIONS



## HAZMAT STATION

PN: HS-1

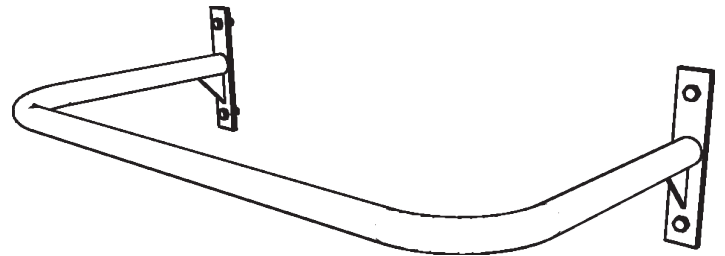
The ultimate solution for warehouse spill response. Engineered to securely hold essential supplies like gloves, paper towels, and garbage bags, this station ensures swift and efficient cleanup in hazardous situations, enhancing safety and readiness in your warehouse.

**Features:**

rubber glove box holder,  
paper towel arm, and plastic bag arm

**Specifications:**

34" wide, 36" high  
powder coated finish  
3/8" mounting holes



## CLOTHING HANG BAR

PN: HB-1

The best way to expand your hang stock capacity is with our Clothing Hang Bar. (100lbs Hang weight capacity)

**Features:**

1.25" round tube

**Specifications:**

34" wide, 16" deep  
powder coated finish  
3/8" mounting hardware included



CALL TODAY 888 861 9303 x104  
csource.wirefabco.com



**Wirefab** has specialized in the design and manufacturing of custom products and displays for the retail industry for over 44 years. What sets us apart from other suppliers is the superior quality of our products, which ensures the highest return on your investment. We can fabricate from your design specifications or our experienced design and engineering staff can offer you creative ideas and practical solutions to meet your specific needs. From in-house prototyping to offshore production, Wirefab is able to offer competitive pricing with industry leading quality. From design to delivery, Wirefab is your best investment.

**CUSTOM FIXTURES MADE TO ORDER!**

**YOU DESIGN IT, WE'LL MAKE IT!**

The most creative and effective merchandising concepts often come from the associates that work the floor day in and day out. Send us your merchandising ideas along with **DIMENSIONS** and **DESCRIPTIONS** to *CSource* by *Wirefab* and we will make it become a reality - quick and easy!

**CSOURCE CUSTOM DESIGN SHEET**

FAX TO 360 424 1976

Name \_\_\_\_\_ Title \_\_\_\_\_ Whs. No \_\_\_\_\_ Date \_\_\_\_\_  
Phone \_\_\_\_\_ Fax \_\_\_\_\_ Email \_\_\_\_\_

PLEASE PROVIDE A ROUGH SKETCH WITH DIMENSIONS AND MATERIALS ALONG WITH A BRIEF DESCRIPTION BELOW.

Grid area for sketch and description.

NOTES:

Wirefab Company: 1012 W. Division Street, Mount Vernon, WA 98273 tel: 888.861.9303 fax: 360.424.1976 www.wirefabco.com



1012 W. Division Street  
Mount Vernon, WA 98273

csource.wirefabco.com

Call or Email us for a price list and order form, or visit our website!  
Questions, or need assistance with ordering? CALL US (360) 424-1129 - ext 104.